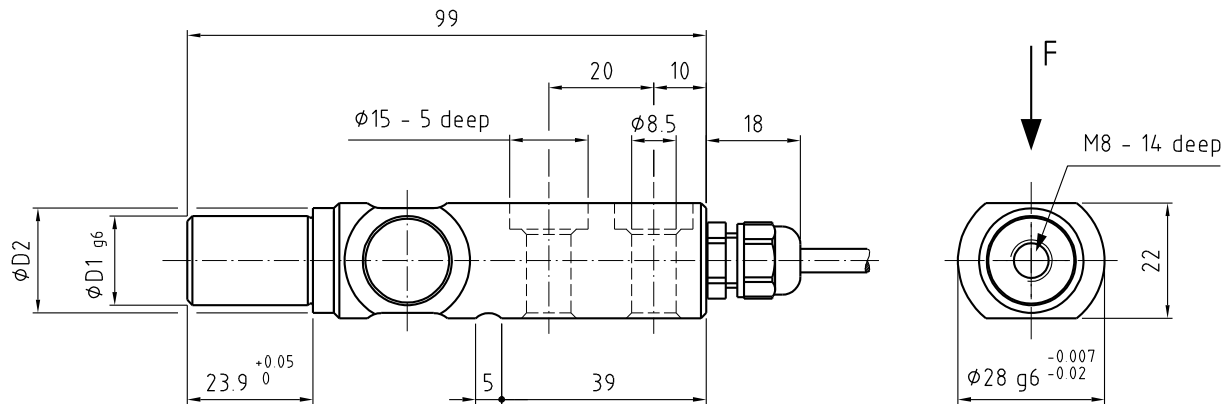


SK 122 FM

Radial force measuring axle

Scale drawing



67194005

All dimensions in mm

Rated measuring ranges

Nominal force [kN]						Bearing journal ϕ [mm]		
2	3	4				17 *	20	

The measuring range of the sensor begins at force's zero point.

* Preferred construction size

Dimensions and weights

Bearing journal ϕ [mm]	Dimensions [mm]			Weight
D1		D2		[g]
17	*	20		400
20		22		400

* Preferred construction size

Order code

SK 122 FM - 4 - 17 - 3 - O	
Sensor type	
Nominal force [kN]	
Bearing journal ϕ [mm]	
Cable length [m]	Standard: 3 Option: required length
Cable connection	Standard: O (open ends) Option: S (connector)

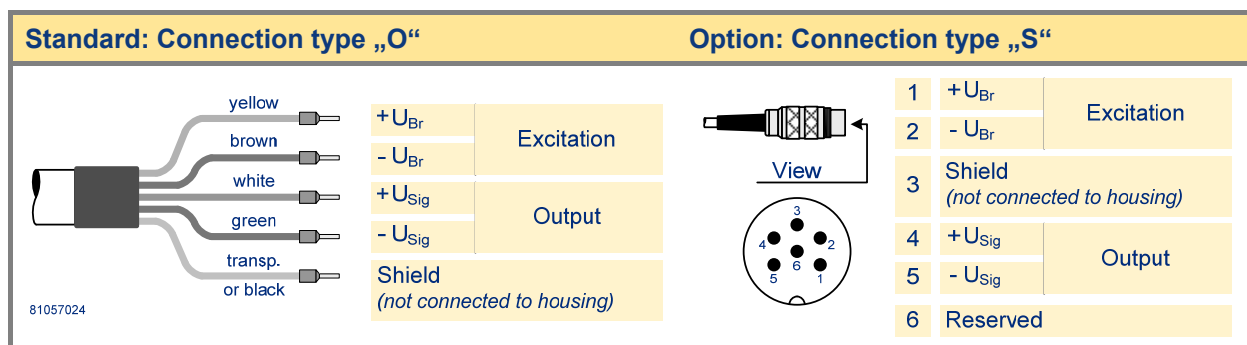
Scope of supply

Sensor with connection cable

Technical data

Rated measuring ranges (F_N)	kN	0 to 2 / 0 to 3 / 0 to 4
Rated output	mV/V	1 to 2
Rated output tolerance	%	$< \pm 0,1$
Accuracy class		0,3
Excitation voltage max.	V	12
Reference excitation voltage	V	10
Input resistance	Ω	1000 ± 4
Output resistance	Ω	1000 ± 2
Isolation resistance	GΩ	> 5
Rated temperature range	$^{\circ}\text{C}$	-10 to 50, Option: -10 to 70
Operational temperature range	$^{\circ}\text{C}$	-10 to 70
Storage temperature range	$^{\circ}\text{C}$	-30 to 80
Reference temperature	$^{\circ}\text{C}$	23
Temperature influence per 10 K		
- on the zero point (TK0)	% F_N	$< \pm 0,1$
- on the calibration (TKC)	% F_N	$< \pm 0,15$
Creep after 30 minutes	% F_N	$< \pm 0,05$
Max. load	% F_N	approx. 150
Ultimate side load	% F_N	100
Deflection at nominal force	mm	$0,05 \pm 20 \%$
Typ. natural frequency of the sensor	kHz	> 2 (depending on the nominal force)
Connection cable		3m long, flexible, shielded 4 x 0,14mm ² , total- \varnothing 5,5 mm
Sensor housing		stainless steel
Protection class		IP 67

Connections



Technical design subject to change without prior notice. © 2017 by Honigmann

Honigmann Industrielle Elektronik GmbH • In den Weiden 20 • D-58285 Gevelsberg • ☎ +49-2332-55115-0 • 📠 +49-2332-55115-99