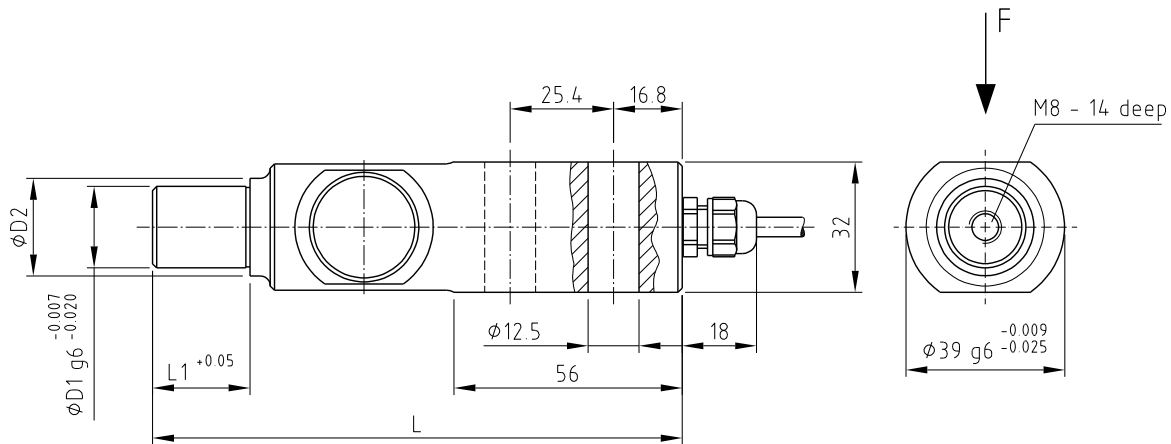


# SK 224 FM

## Radial force measuring axle

### Scale drawing



67224007

All dimensions in mm

### Rated measuring ranges

Nominal force [kN]					Bearing journal $\phi$ [mm]		
5**	7,5	10	15***		20	25 *	

The measuring range of the sensor begins at force's zero point.

\* Preferred construction size

\*\* Special type LR (Low Range)

\*\*\* Special type HR (High Range)

### Dimensions and weights

Bearing journal $\phi$ [mm]	Dimensions [mm]				Weight [g]
	D1	L1	D2	L	
20		23,9	24	130	800
25	*	28,9	28	135	850

\* Preferred construction size

### Order code

SK 224 FM - 10 - 20 - 3 - O	
Sensor type	
Nominal force [kN]	
Bearing journal $\phi$ [mm]	
Cable length [m]	Standard: 3 Option: required length
Cable connection	Standard: O (open ends) Option: S (connector)

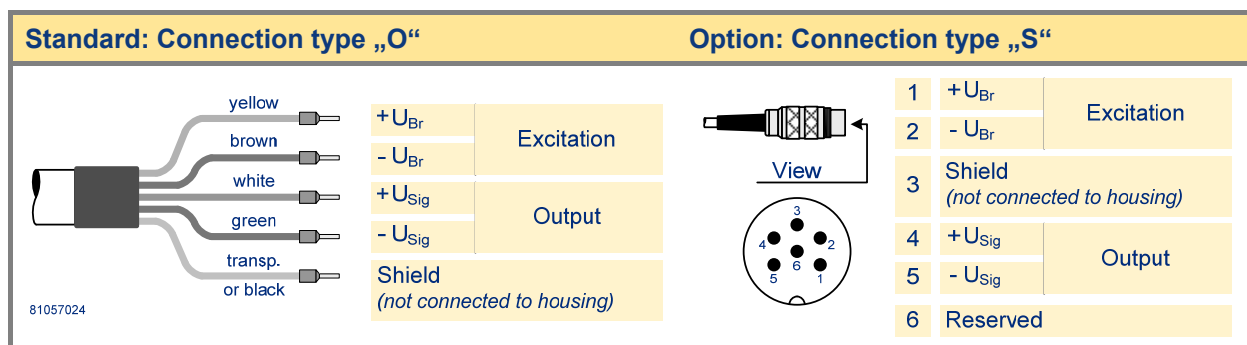
### Scope of supply

Sensor with connection cable

**Technical data**

Rated measuring ranges ( $F_N$ )	<b>kN</b>	0 to 5 / 0 to 7,5 / 0 to 10 / 0 to 15
Rated output	<b>mV/V</b>	1 to 2
Rated output tolerance	<b>%</b>	$< \pm 0,1$
Accuracy class		0,3
Excitation voltage max.	<b>V</b>	12
Reference excitation voltage	<b>V</b>	10
Input resistance	<b><math>\Omega</math></b>	$1000 \pm 4$
Output resistance	<b><math>\Omega</math></b>	$1000 \pm 2$
Isolation resistance	<b>G<math>\Omega</math></b>	$> 5$
Rated temperature range	<b><math>^{\circ}\text{C}</math></b>	-10 to 50, Option: -10 to 70
Operational temperature range	<b><math>^{\circ}\text{C}</math></b>	-10 to 70
Storage temperature range	<b><math>^{\circ}\text{C}</math></b>	-30 to 80
Reference temperature	<b><math>^{\circ}\text{C}</math></b>	23
Temperature influence per 10 K		
- on the zero point (TK0)	<b>% <math>F_N</math></b>	$< \pm 0,1$
- on the calibration (TKC)	<b>% <math>F_N</math></b>	$< \pm 0,15$
Creep after 30 minutes	<b>% <math>F_N</math></b>	$< \pm 0,05$
Max. load	<b>% <math>F_N</math></b>	approx. 150
Ultimate side load	<b>% <math>F_N</math></b>	100
Deflection at nominal force	<b>mm</b>	$0,07 \pm 20 \%$
Typ. natural frequency of the sensor	<b>kHz</b>	$> 2$ (depending on the nominal force)
Connection cable		3m long, flexible, shielded 4 x 0,25mm <sup>2</sup> , total- $\varnothing$ 5,5 mm
Sensor housing		stainless steel
Protection class		IP 67

**Connections**



Technical design subject to change without prior notice. © 2021 by Honigmann

Honigmann Industrielle Elektronik GmbH • In den Weiden 20 • D-58285 Gevelsberg • ☎ +49-2332-55115-0 • 📠 +49-2332-55115-99