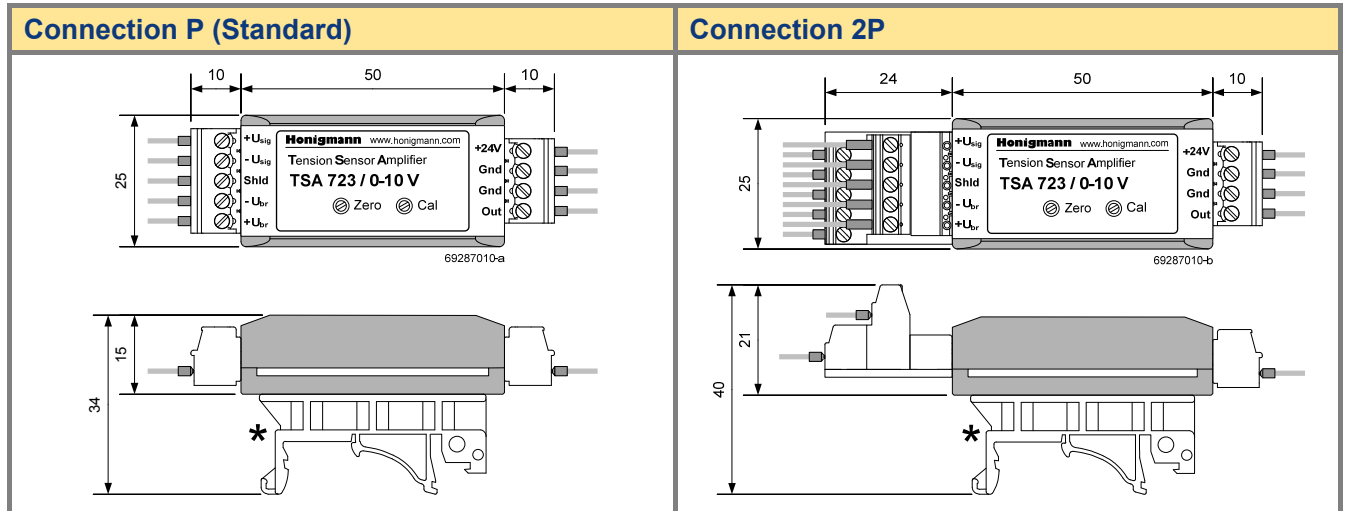


TSA 723

Miniature measuring amplifier
for strain gauge sensors

Scale drawing



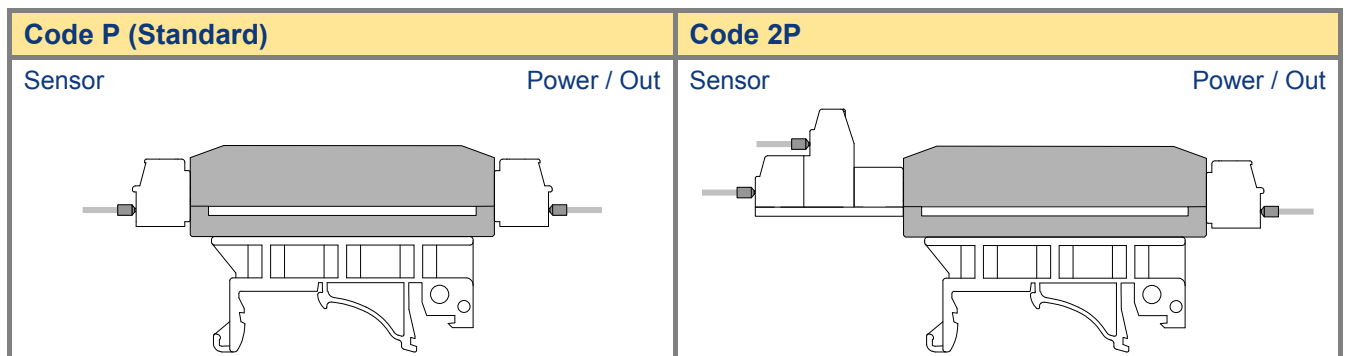
All dimensions in mm
* rail adapter

Order code

		TSA 723	- 010	- P	- R
Type					
Output signal	010 * 020 420	Voltage 0-10V Current 0-20mA Current 4-20mA			
Connection	P * 2P	Cable outlet parallel to plug-in direction Adapter to connect 2 sensors			
Mounting	R * O	with rail adapter without rail adapter			
Temperature range	X	extended temperature range			

* standard

Connection types



TSA 723

Miniature measuring amplifier for strain gauge sensors

Technical data

Design		robust aluminium housing	
Sensors to be connected		strain gauge, full bridge	
Admissible connection impedance	Ω	175 to 1000	
Accuracy class		0,1	
Bridge excitation voltage	V DC	10	
Nominal gain G_{nom}		667	
Nominal measuring range U_{sig}	mV	± 15 (accordant 1,5 mV/V at 10V excitation voltage)	
Adjustment range calibration (CAL)	% F_N	85 to 100 to 500	
Adjustment range zero (ZERO)	% F_N	± 45	
Cut-off frequency f_c (-3 dB)	Hz	approx. 70	
Output			
- voltage output (standard)	V	0 to ± 10 , max. 1 mA	
- current output 0-20 (optional)	mA	0 to 20, admissible load 100 to 300 Ω	
- current output 4-20 (optional)	mA	4 to 20, admissible load 100 to 300 Ω	
		Standard	Option ²
Nominal temperature range	°C	0 to 50	-25 to 60
Operation temperature range	°C	-10 to 70	-30 to 70
Storage temperature range	°C	-30 to 75	-50 to 75
Temperature influence per 10 K			
- on zero at amplifier output	mV	< 10	
- on calibration	% ¹	< 0,05	
Supply voltage	V DC	20 to 28	
Current consumption (350 Ω bridge, no load)	mA	approx. 36	
Connection		plugs with screw terminals for flexible cable 0,08 to 1,5 mm ²	
Dimensions		see scale drawing	
Weight	g	approx. 40	

¹ of final value

² Option "extended temperature range"

Scope of supply

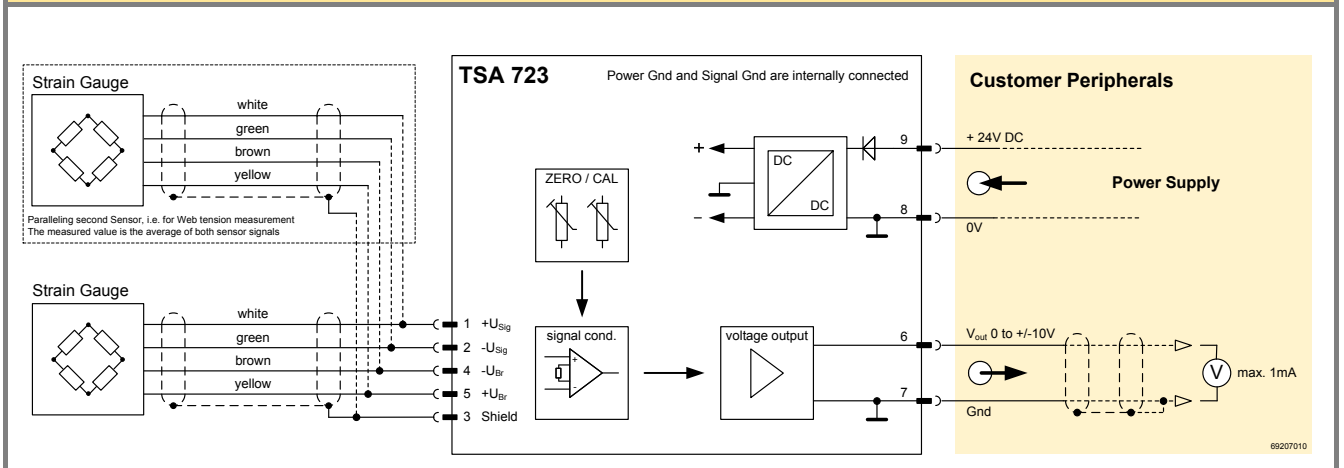
- Measuring amplifier
- Connectors

TSA 723

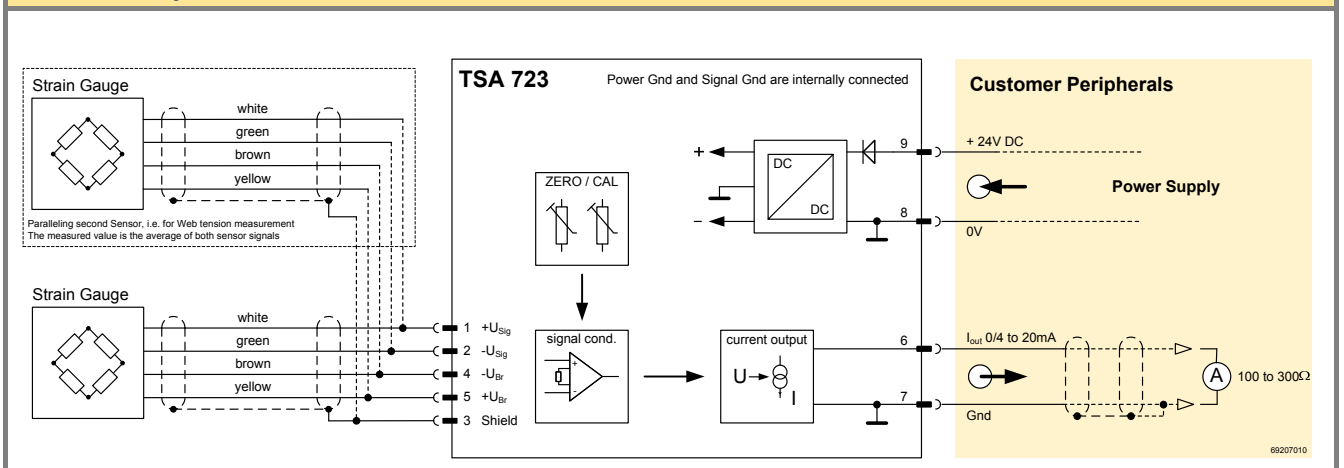
Miniature measuring amplifier for strain gauge sensors

Block diagram

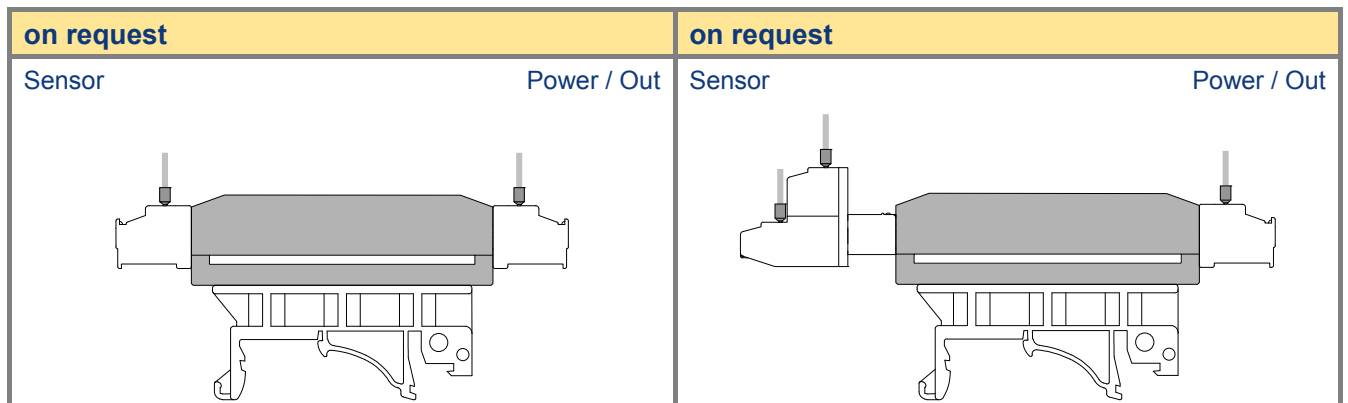
Voltage output 0-10V



Current output 0-20mA or 4-20mA



Further connection types



Technical design subject to change without prior notice. © 2022 by Honigmann

Honigmann Industrielle Elektronik GmbH • In den Weiden 20 • D-58285 Gevelsberg • ☎ +49-2332-55115-0 • 📠 +49-2332-55115-99