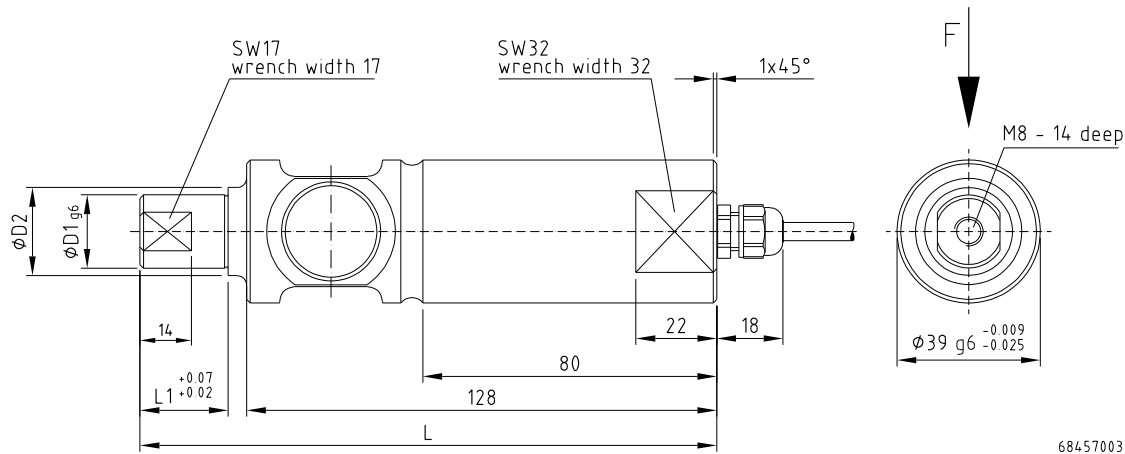


SK 224 CM

Radial force measuring axle

Scale drawing



All dimensions in mm

Rated measuring ranges

Nominal force [kN]					Bearing journal ϕ [mm]		
5**	10	15***	20***		20	25 *	

The measuring range of the sensor begins at force's zero point.

* Preferred construction size

** Special type LR (Low Range)

*** Special type HR (High Range)

Dimensions and weights

Bearing journal ϕ [mm]	Dimensions [mm]				Weight
D1	L1	D2	L	[g]	
20	23,9	24	157	900	
25	* 28,9	28	162	950	

* Preferred construction size

Order code

SK 224 CM - 10 - 20 - 3 - O	
Sensor type	
Nominal force [kN]	
Bearing journal ϕ [mm]	
Cable length [m]	Standard: 3 Option: required length
Cable connection	Standard: O (open ends) Option: S (connector)

Scope of supply

Sensor with connection cable

Technical data

Rated measuring ranges (F_N)	kN	0 to 5 / 0 to 10 / 0 to 15 / 0 to 20
Rated output	mV/V	1 to 2
Rated output tolerance	%	$< \pm 0,1$
Accuracy class		0,3
Excitation voltage max.	V	12
Reference excitation voltage	V	10
Input resistance	Ω	1000 ± 4
Output resistance	Ω	1000 ± 2
Isolation resistance	GΩ	> 5
Rated temperature range	$^{\circ}\text{C}$	-10 to 50, Option: -10 to 70
Operational temperature range	$^{\circ}\text{C}$	-10 to 70
Storage temperature range	$^{\circ}\text{C}$	-30 to 80
Reference temperature	$^{\circ}\text{C}$	23
Temperature influence per 10 K		
- on the zero point (TK0)	% F_N	$< \pm 0,1$
- on the calibration (TKC)	% F_N	$< \pm 0,15$
Creep after 30 minutes	% F_N	$< \pm 0,05$
Max. load	% F_N	approx. 150
Ultimate side load	% F_N	100
Deflection at nominal force	mm	$0,07 \pm 20 \%$
Typ. natural frequency of the sensor	kHz	> 2 (depending on the nominal force)
Weight	g	approx. 900
Connection cable		3m long, flexible, shielded 4 x 0,25mm ² , total- \varnothing 5,5 mm
Sensor housing		stainless steel
Protection class		IP 67

Connections

Standard: Connection type „O“		Option: Connection type „S“			
<p>81057024</p>	+U_{Br}	Speisung	<p>Ansicht</p>	1 +U _{Br}	Speisung
	-U_{Br}			2 -U _{Br}	
	+U_{Sig}	Ausgang		3 Abschirmung (kein Kontakt zum Gehäuse)	
	-U_{Sig}			4 +U _{Sig}	Ausgang
	Abschirmung (kein Kontakt zum Gehäuse)	5 -U _{Sig}			
	6 reserviert				

Technical design subject to change without prior notice. © 2021 by Honigmann

Honigmann Industrielle Elektronik GmbH • In den Weiden 20 • D-58285 Gevelsberg • ☎ +49-2332-55115-0 • 📠 +49-2332-55115-99