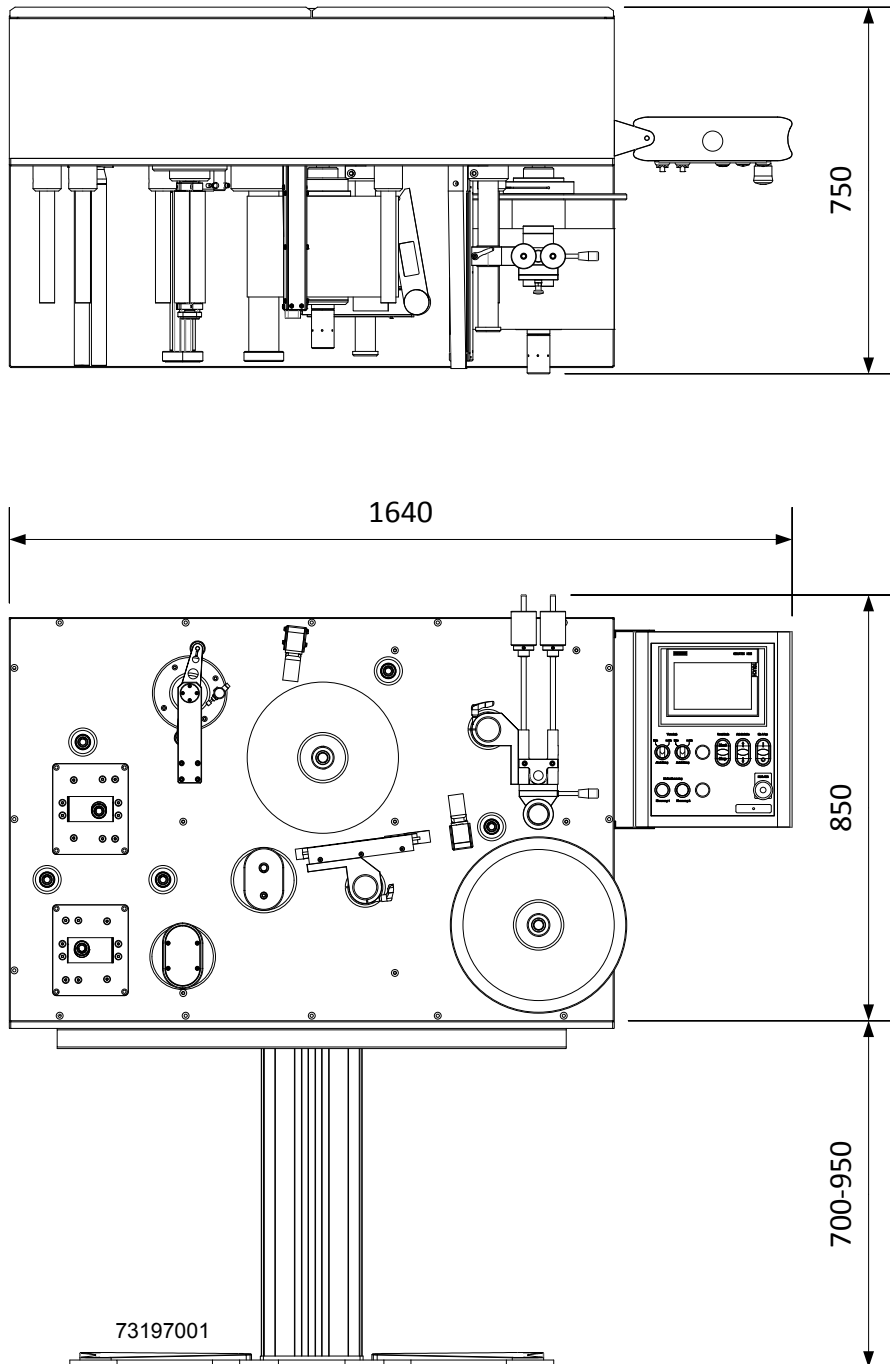


UW 200 HF - SZ

Motor driven rewinding station
with angled pulling unit for HEXPET® fibre mats

Scale drawing



All dimensions in mm

Technical design subject to change without prior notice. © 2013 by Honigmann

Honigmann Industrielle Elektronik GmbH • Krebsstraße 2-8 • D-42289 Wuppertal • ☎ +49-202-870972-0 • 📠 +49-202-870972-99